



EXTENDED MAG. RELEASE

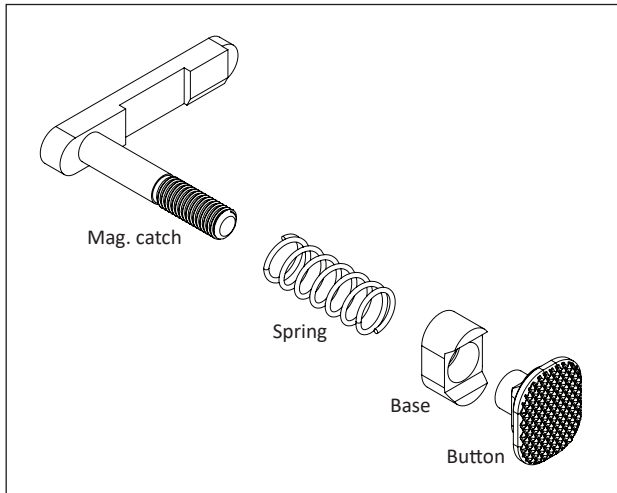
AR-15/AR-10

CAUTION: REMOVE MAGAZINE AND VISUALLY CHECK CHAMBER TO MAKE SURE THAT FIREARM IS UNLOADED.

The JP Enhanced Mag. Release offers a major increase in surface area for faster, easier reloads on the clock. It's installation is similar to a Mil-spec mag. button to start but incorporates a toolless detent-style final step. Note that you will need adequate clearance around the mag. catch for the button to rotate freely. A Mil-spec lower offers plenty of room, but certain billet lowers may have tighter fencing around the button. A minimum of .66" of clearance is required.

INSTALLATION

1. Start with the mag. catch fully seated and the spring in place. With the base and button together, twist both parts onto the catch one full rotation to retain them.
2. Depress the catch slightly so that the base is held by the receiver and rotate the button on until it almost contacts the outside of the lower receiver.



THANKS FOR YOUR BUSINESS!