

PARTS INCLUDED

- One (1) Hand Guard Tube
- One (1) Barrel Nut
- One (1) Barrel Retainer Nut
- One (1) O-Ring
- One (1) Attachment Washer
- One (1) Jam Nut (with roll pins and set screws installed)
- One (1) Tensioning Tool

Use of anti-seize compound, Loctite® 271 and 243 (or equivalent thread lockers) is required for installation but not included.

CAUTION: REMOVE THE MAGAZINE AND VISUALLY CHECK THE CHAMBER TO ENSURE THAT YOUR FIREARM IS UNLOADED.

Thank you for purchasing this JP MK III Hand Guard. This generation of hand guards has been redesigned and improved to afford maximum versatility, high rigidity and structural integrity, positive barrel retention and cool operation under sustained fire.

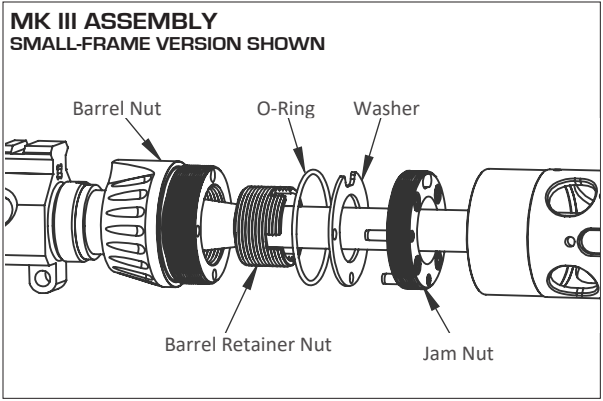
Prior to attempting the installation described below, make sure to read the entirety of these instructions thoroughly. The following steps assume that you know how to disassemble your particular upper assembly if you are replacing an existing hand guard. Since there are so many possible components and configurations on the market, it is not feasible to relay comprehensive disassembly procedures for every circumstance. As with all our products, if you do not feel comfortable disassembling your upper or performing the steps laid out in these instructions, please contact JP or a qualified gunsmith to perform the installation.

INSTALLATION

Before beginning this installation, use a nylon brush and solvent to thoroughly clean the threads of all components of any obstructions, grit or particulate. Any such material could cause irreparable damage to the threads during assembly.

1. Lock your upper receiver in a set of JP Vise Clamps, suitable action block or other means while taking care not to crush the receiver. If you use a bench vise without an aid, grip as close to the front pivot lug as possible.

2. Remove the following from the upper receiver: sights or scopes mounted to the upper receiver, compensator/muzzle treatment (if fitted), existing hand guard tube, gas block/front sight post and gas tube, existing hand guard barrel nut.



3. Clean the threads on the receiver barrel collar with a brush and solvent. We also recommend removing any Teflon[®] coating on these threads with a steel brush to help the thread locker bond. Coat these threads with Loctite[®] 271 and then install the Barrel Nut by turning it down until it stops and then backing it off until the gas tube holes are in alignment.

Make sure to leave a slight gap between the back face of the outer nut and the front of the receiver. While the cosmetic appeal of having the Barrel Nut flush against the receiver is obvious, do not (as we have seen on occasion) attempt to face the back of the nut in order to make it torque tightly against the receiver. This will cause some degradation in accuracy and point of impact during prolonged fire.

4. Insert the barrel, extension piece first, into the upper receiver while making sure that the barrel extension pin is on top and aligns with the corresponding notch in the upper receiver so that the barrel seats fully.
5. Apply anti-seize compound to the threads of the Barrel Retainer Nut and insert this into the Barrel Nut. Using the supplied tensioning tool, tighten the Barrel Retainer Nut down against the barrel's extension piece until it is hand tight. Make sure you retain gas tube hole alignment of the Barrel Nut.

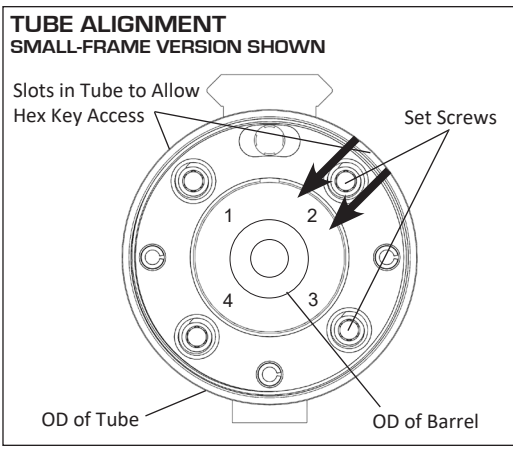
Allow the Loctite[®] to set overnight before continuing.

6. Using a 1-3/8" wrench and the included tensioning tool, partially tighten and loosen the Barrel Retainer Nut three to four times to seat the barrel. On the last tightening, torque the Barrel Retainer Nut to 40-80 foot-pounds. You may wish to use a crow's foot wrench along with a torque wrench for this step.

7. Install the O-Ring, Washer and Jam Nut as shown with the roll pins passing through the Washer into the Barrel Nut.
8. Remove the set screws from the Jam Nut and apply a small amount of Loctite® 243 to the threads of each. Reinstall the screws until they are flush with the surface of the Jam Nut.
9. Install the gas tube and gas block.
10. Thread the Hand Guard Tube onto the Jam Nut and continue to thread it down onto the Barrel Nut. Use caution when transitioning from the Jam Nut to the Barrel Nut to avoid cross-threading the Barrel Nut and the Hand Guard Tube. Try to keep the Jam Nut, Washer and Barrel Nut all together and touching when crossing over. The clocking threads will determine exactly how much space will be in between the nuts and the washer, but it should not exceed the thread spacing.
11. Tighten the Hand Guard Tube all the way down to the collar of the barrel nut and then back it off until the rail on the receiver aligns with the small row of holes on the top of the tube. If you plan to use a 12:00 rail, install it on the tube now and take care that it remains aligned with the receiver rail during the remainder of the installation.
12. Use a 1/8 hex key to reach through the openings of the hand guard nearest the receiver and lightly tighten the four set screws in the Jam Nut until you just feel them touch the Washer. The large-frame versions of the MK III Hand Guard use two different sizes of set screw, so you will use a 1/8 hex key for the upper screws and a 3/32 for the lower.
13. Determine whether the barrel is centered by examining the distance between the barrel and the inner wall of the Hand Guard Tube. If not, use the Jam Nut to center the barrel by tightening the screws accordingly. For example, tightening set screw 2 in the diagram will move the inner edge of the tube towards the barrel as shown by the arrows. This same principle applies to each of the set screws, which together allow for proper alignment.

Once the barrel is centered, tighten all four screws hand-tight while maintaining the alignment between the barrel and tube.

14. Reassemble the upper assembly and allow thread locker to set before use.



RAIL ATTACHMENT

Both tube styles of the MK III Hand Guard System function like their earlier iterations for attaching accessory rails. Full-length 12:00 rails or the 2-inch front sight rail (JPTR-FS) can be attached directly to the top of the tube while two- and four-inch accessory rails can be mounted directly to the tube at the 6:00 position using the 10-32 flathead screws included with the rail segments.

For the 3:00, 9:00 and each of the 45° positions, the tubes will accept rails differently. The JP Signature design uses rail segments with backer plates that fit into the tube slots while the RC Hand Guard dispenses with the backer plates to allow for mounting directly to the hand guard at all positions. Refer to the table to determine which rails you need for a given application.

	SIGNATURE	RAPID CONFIGURATION
12:00	JPTR-XL, JPTR-R, JPTR-M, JPTR-FS	JPTR-XL, JPTR-R, JPTR-M, JPTR-FS
6:00	JPTR-LRC, JPTR-SRC	JPTR-LRC, JPTR-SRC
3:00, 9:00 and 45°	JPTR-L, JPTR-S	JPTR-LRC, JPTR-SRC

Whenever you install an accessory on this or any other free-floating hand guard, it is critical to verify that no part of the accessory, particularly screws, protrude into the hand guard to make contact with the barrel, gas block or gas tube. Any such contact with the barrel assembly may cause accuracy problems. Pay particular attention to the area where the gas tube passes through the upper receiver as this is the closest point that any part of the barrel assembly comes to touching the hand guard.

THANKS FOR YOUR BUSINESS!

COMPATIBILITY

M Series (AR-15): This hand guard is not compatible with newer Bushmaster CARBON-15 rifles. Rifles with serial number E18000 or higher use a barrel nut thread size that is larger than standard, so standard AR-15 free-float hand guards cannot be installed.

