



## REDUCED WEIGHT FIRE CONTROL SPRING SET

### PARTS INCLUDED

- Yellow trigger spring
- Yellow hammer spring (JPS3.5 only)
- Red hammer spring (JPS3.5T only)
- Disconnecter spring

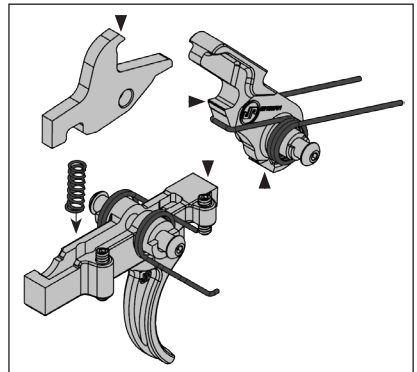
**CAUTION: REMOVE MAGAZINE AND VISUALLY CHECK CHAMBER TO MAKE SURE THAT FIREARM IS UNLOADED.**

These custom-produced springs are the same ones we use with our JP Fire Control components to achieve a reliable 3-lb. trigger setup with our proprietary sear geometry. They can also be used with properly prepared Mil-spec trigger/hammer components and a good anti-seize grease to achieve a clean, reliable 4- to 5-lb. trigger.

Once installed, this spring setup will give good ignition reliability with domestically manufactured ammo and properly seated primers. Do not use foreign-manufactured ammunition because the primers in such ammo are often extremely hard and will give poor ignition with this spring kit. These springs are also designed for recreational/competition use only and should not be installed in a duty/defense weapon where reliability is critical.

### INSTALLATION INSTRUCTIONS

1. **Remove the trigger and hammer from your receiver.** If replacing existing springs in your rifles, drive the trigger pins out of the receiver using a plastic mallet and drift pin.
2. **Replace the existing fire control springs with the new JP ones oriented as shown.** Take care to insert the wider end of the disconnecter spring down into the trigger.
3. **Reassemble the trigger group as you found it.**
4. **Apply anti-seize grease to the indicated surfaces: sear, hammer notch and hammer/disconnector.** Oils and standard greases aren't optimal for this application, which requires a good anti-seize grease. We recommend Armite LP-250, available on our website. This "trigger job in a can" is also useful for any other high-load trigger applications.



---

If you like the new and improved feel of your trigger, be aware that you're only getting a taste of what a superior trigger can give you. Installing this spring set is just the beginning of improving the feel of your rifle's trigger and the overall control it provides you as a shooter. If you are interested in further refinement of your fire control system, visit [www.jprifles.com](http://www.jprifles.com) and our YouTube channel ([youtube.com/jprifles](https://youtube.com/jprifles)) for additional instructions on polishing your trigger and hammer to improve its feel and pull. You can also upgrade to one of our complete trigger products, which we can install in your lower for you if you wish. Check our website's Fire Control section for our complete offerings of components and services available.

## THANKS FOR YOUR BUSINESS!

JP high performance firearms components represent the state of the art in their respective product categories. However, be aware that any change to the original design of a firearm will yield performance improvement in one area but sometimes at the expense of another. It is your responsibility to determine if any aftermarket component is suited to your application. When in doubt, contact our technical support at [tech@jprifles.com](mailto:tech@jprifles.com) or **651-426-9196**.

### COMPATIBILITY WITH OTHER COMPONENTS

Due to the abundance of aftermarket accessories introduced every year by hundreds of manufacturers, it is impossible for us to provide accurate compatibility information for ALL our components with ALL other manufacturers' products in ALL possible combinations. The only assurance we can give is that JP products are compatible with other JP products. Some simple measurements, a visual examination and some common sense can save a lot of time, and it is ultimately your responsibility to verify compatibility of the parts you intend to use. If you find that the particular JP component you've ordered is not compatible with other components you intend to use, you may return it to us in unused condition in the original packaging for a refund.

### NOTICES

- No liability is expressed or implied for damage, injury or death resulting from the improper use/misuse of this product.
- Like skydiving or rock climbing, the handling and use of firearms carries certain unavoidable risks.
- If you cannot accept responsibility for your own actions, firearm ownership is not for you.
- The use of any custom parts or modifications may void your firearm's manufacturer warranty.
- We strongly recommend that a qualified gunsmith check the safety and function of your modified firearm.
- Returns will not be accepted on any parts that have been installed or modified.
- Before performing any work or modification on your firearm, make sure it is clear. Remove any magazines, open the action and visually check the chamber to ensure that your firearm is unloaded.